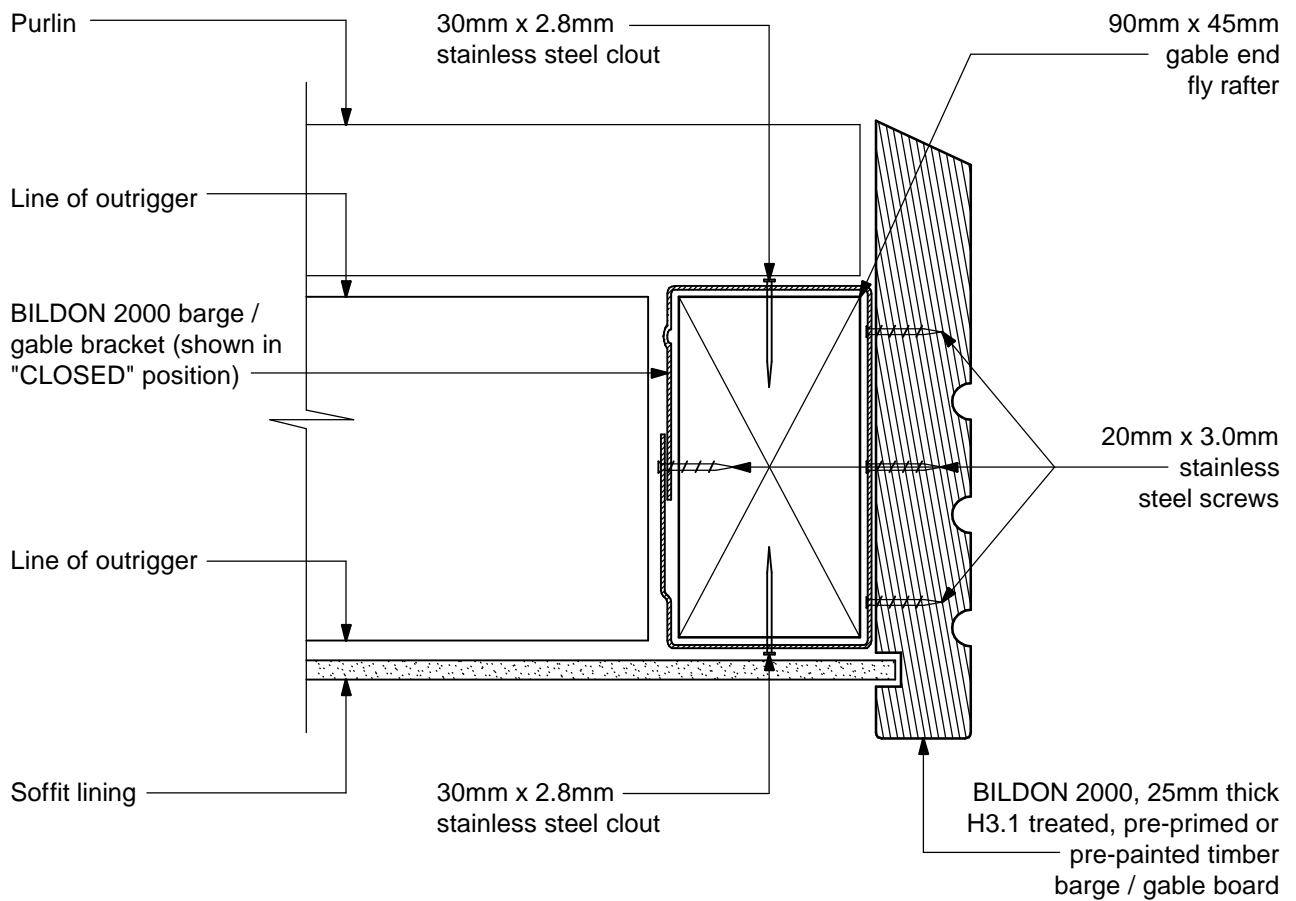


**BILDON 2000 TIMBER FASCIA SYSTEM**  
 MANUFACTURED AND SUPPLIED BY TOTAL FASCIA LTD.  
 OCTOBER 2008

NZ PATENT : 514624  
 NZ REG. DESIGN : 402057  
 © 1999 - W.L. MCKENZIE



NB:- ALL FASTENINGS ARE STAINLESS STEEL GRADE 316.  
 FASCIA BRACKETS ARE AVAILABLE IN BOTH STAINLESS STEEL  
 (FOR CORROSIVE ENVIRONMENTS) OR GALVANISED FINISH

**BILDON 2000 GABLE / FASCIA BRACKET**

(TYPICAL DETAIL: CHECK DIMENSIONS AND MEASUREMENTS BEFORE  
 COMMENCING WORK AND INFORMATION ON THIS SHEET SHOULD BE READ  
 IN CONJUNCTION WITH OUR INSTALLATION REQUIREMENTS AND BROCHURE)