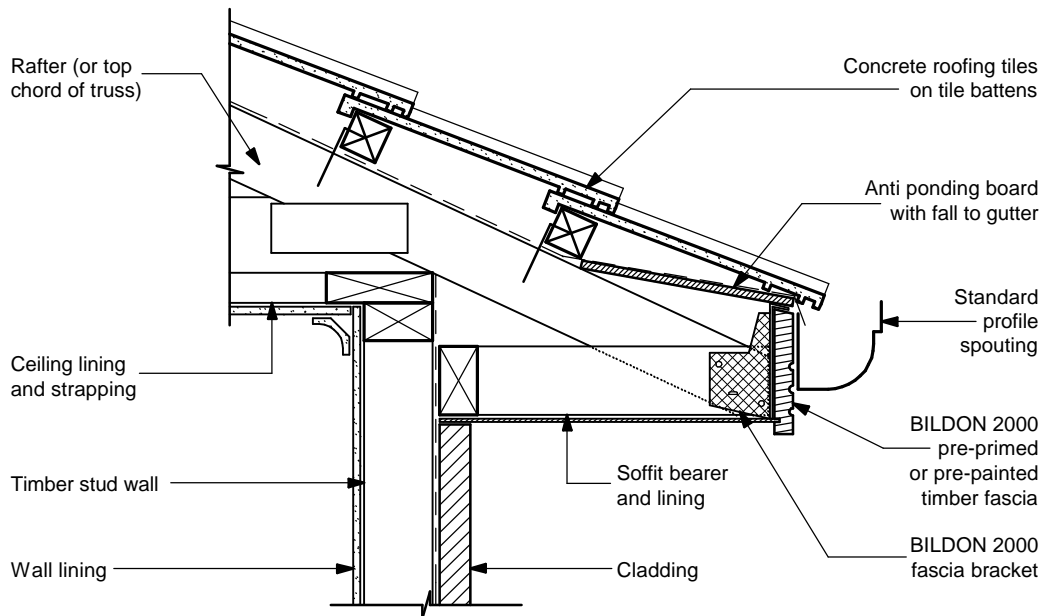


**BILDON 2000 TIMBER FASCIA SYSTEM**  
 MANUFACTURED AND SUPPLIED BY TOTAL FASCIA LTD.  
 OCTOBER 2008

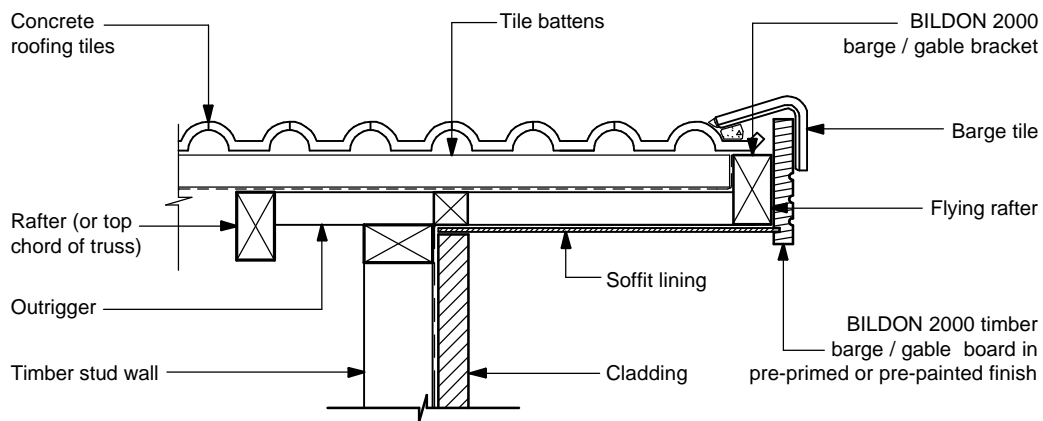
NZ PATENT : 334918  
 NZ REG. DESIGN : 30103  
 NZ REG. DESIGN : 30102  
 © 1999 - W.L. McKENZIE

NB:- ALL FASTENINGS ARE STAINLESS STEEL  
 GRADE 316. FASCIA BRACKETS AND  
 BARGE / GABLE BRACKETS ARE AVAILABLE  
 IN BOTH STAINLESS STEEL GRADE 316  
 (FOR CORROSIVE ENVIRONMENTS) OR  
 GALVANISED FINISH. ALL CORNER PLATES /  
 SOAKERS FLAT JOINERS / SOAKERS  
 ARE STAINLESS STEEL GRADE 316.

NZ PATENT : 314624  
 NZ REG. DESIGN : 402057  
 © 2001 - W.L. McKENZIE



**EAVES**



**BARGE**

**TYPICAL EAVES AND BARGE DETAILS**  
**FOR CONCRETE TILE ROOF**

(TYPICAL DETAIL: CHECK DIMENSIONS AND MEASUREMENTS BEFORE  
 COMMENCING WORK AND INFORMATION ON THIS SHEET SHOULD BE READ  
 IN CONJUNCTION WITH OUR INSTALLATION REQUIREMENTS AND BROCHURE)